

VI SEC Drizzle Resin-SET UR10

On-the-dot dosage with maximum volumetric precision



DESCRIPTION:

This set of high-quality dosing components for drizzle resins is consisting of a UR10 rotor unit with a DLC-coated seal seat, a matching 3R10 stator, two shaft seals (hi-Q seal) including O-rings, and one VIS-Coat shaft seal including an O-ring.

The single-stage rotor unit ensures reliable, precise and reproducible dosing results for a wide variety of dosing tasks and media. The system is particularly impressive when it comes to handling drizzle resins – such as Voltatex 4200, which is widely used in the manufacturing of electric motors – thanks to its consistent and reliable flow behaviour.

The DLC-coated seal seat minimises wear and ensures a long service life as well as consistently reliable operation. The internal geometry of the stator is based on the proven eccentric screw pump principle and enables low-pulsation, gentle material handling.

This set offers significant advantages, particularly for drizzle resins: the VIS-Coat shaft seal impresses with its excellent sliding properties, high chemical resistance and reduced wear on the running surface. This ensures consistently high dosing quality, longer maintenance intervals and maximum process reliability.

The rotor/stator system is therefore the ideal solution for demanding dosing applications in drizzle resin and potting technology.

RANGE OF USES:

- drizzle & trickling resins
- an-aerobic media
- adhesives
- silicones
- grease
- oils

SET ORDER NUMBER:

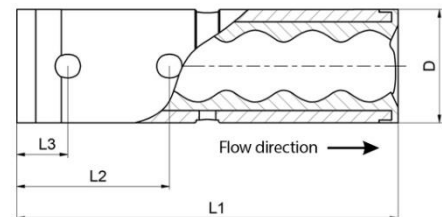
VI SEC Drizzle Resin -Set: P61.4A05R10

TECHNICAL DATA ROTOR-UNIT:

Dimensions (rotor x length)	Ø12.7 mm x 218 mm
Weight	approx. 215 g
Surface Rotor	Hard chrome-plated
Surface Shaft	DLC-coated
Max. Torque	14.0 Nm
Item no.:	P21.UR1091

TECHNICAL DATA STATOR:

Dimensions	Ø21.85 mm x 86 mm
Weight	approx. 98 g
Dosing volume	approx. 1.10 cc/rev
Dosing accuracy ⁽¹⁾	± 1%
Repeatability	> 99%
Min. dosing quantity	approx. 0.09 cc
Volume flow ⁽²⁾	1.10 to 132 cc/min
Operating pressure ⁽³⁾	0 to 20 bar
Max. dosing pressure	21 bar

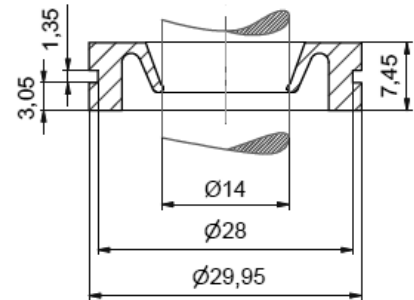


D = Ø 17,85 mm L2 = 24,00 mm
L1 = 60,00 mm L3 = 8,00 mm

- (1) Volumetric dosing is related as absolute deviation to one revolution of the dispenser.
Depends on the viscosity of the dosing medium.
- (2) Volume flow is dependent on viscosity and primary pressure.
- (3) Pressure depending on the dosing medium.

TECHNICAL DATA SHAFT SEAL:

Dimensions	Ø approx. 30 mm / Ø 14 mm
Weight	approx. 5.3 g
Material	hi-Q seal / hi-Q seal-per
Specific Gravity	1.72 – 1.76 g/cm ³
Continuous operating temp	(-)110 – (+)155 °C
Item no.:	Seal 30/14: P30.11000.01 Seal VIS-Coat: P30.11010.02*



***NOT SUITABLE FOR DRY-RUN!**

The shaft seal rings, specially manufactured by SEC, are optimally designed for use in the VISEC R-series rotor units. When installed in the seal housing, they ensure a reliable and leak-free dosing process, even in demanding applications using established drizzle resins such as Voltatex 4200.

The VIS-Coat shaft seal also impresses with its excellent sliding properties, high chemical resistance and reduced wear on the running surface. This extends service life and ensures consistently high dosing quality.

Each shaft seal comes with a matching FFKM O-ring to ensure optimum sealing and maximum process reliability.