

Shaft seal

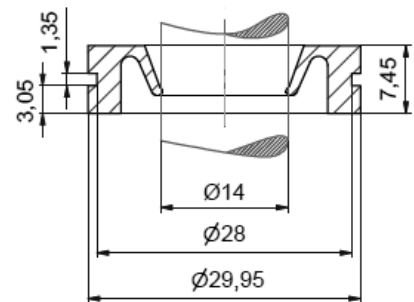
for the VISEC sizes 3R8 und 3R10 of the VISEC R-series

With very good sliding friction properties and high resistance to chemicals, our shaft seals are perfectly prepared for complex applications.



TECHNICAL DATA:

Dimension	Ø approx. 30 mm / Ø 14 mm
Weight	approx. 4,4 g
Material	hi-Q seal
Density	1,72 - 1,76 g/cm ³
Continuous operating temperature	(-)110 – (+)155 °C
Item no.	P30.11010.01



The shaft seals specially manufactured by SEC are perfectly suited for applications with our VISEC rotor units of the R-series UR8 und UR10. Installed in the seal housing, they ensure a smooth metering process, without leaks.

One matching O-ring is required per shaft seal. This O-ring is also available from VISEC under item number P30.10040.01.

The O-ring is made of FFKM and has the dimensions 27 x 1,2 mm.

EXPLOSION DRAWING SEAL HOUSING:

- 20** Shaft seal Ø30/14 / P30.11010.01
- 50** O-ring – 27 x 1,2 FFKM / P30.10040.01

